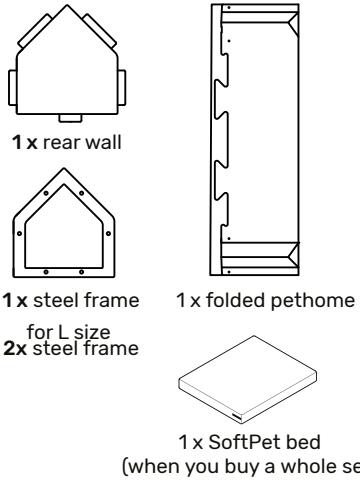


**pethome® assembly instructions**

what's inside >

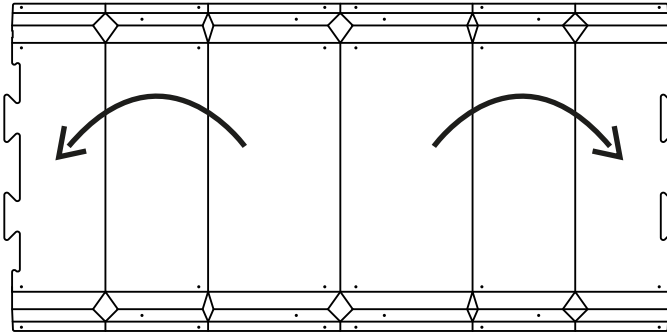


**start >** it takes 10 - 15 minutes :)

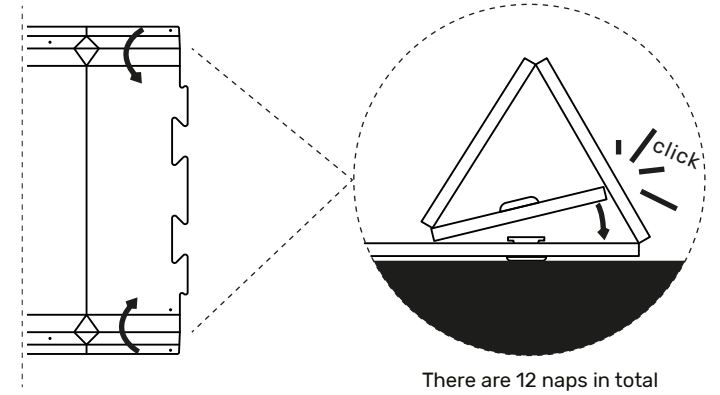


You can also see the film how to fold it, just scan qr code >

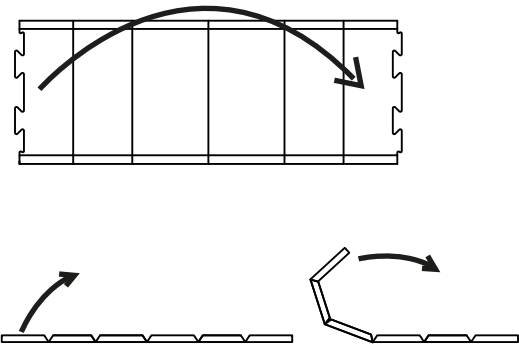
**1 / unfold pethome**



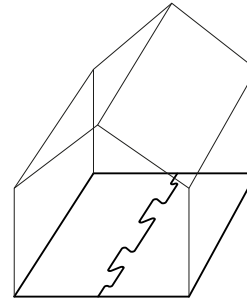
**2 / fold the triangle on both sides >>CLICK<<**



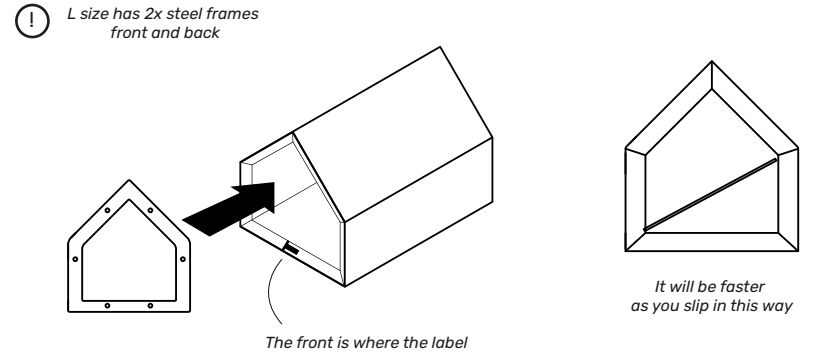
**3 / fold the home**



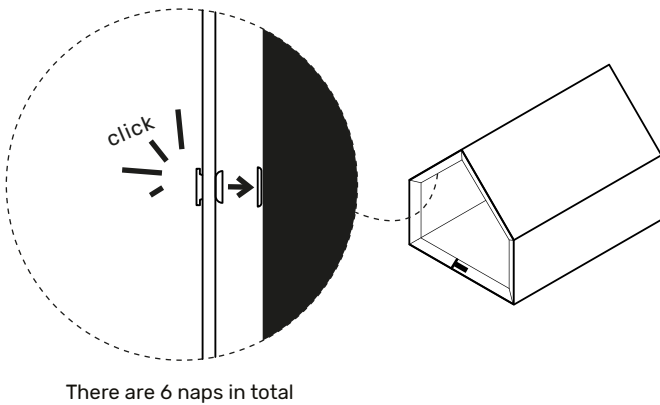
**4 / fold the puzzle inside home**



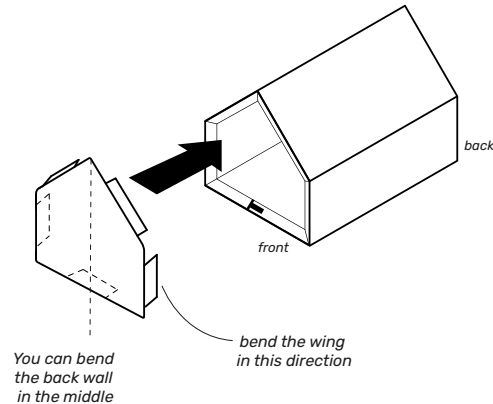
**5 / Put the steel frame through the front hole**



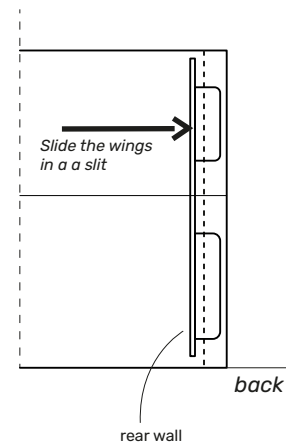
**6 / ok, now >>CLICK<< the steel frame into pethome naps**



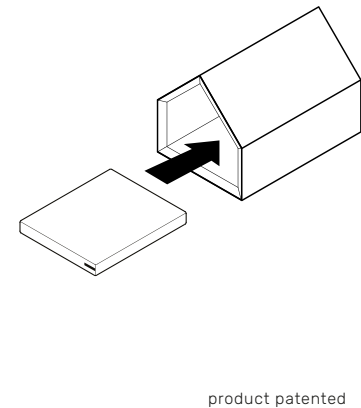
**7 / almost done > put inside the back wall**



**8 / slide the back wall**



**9 / put the bed inside, and your pethome is ready**



**Voilà!**

Now!  
make your pet  
happy

